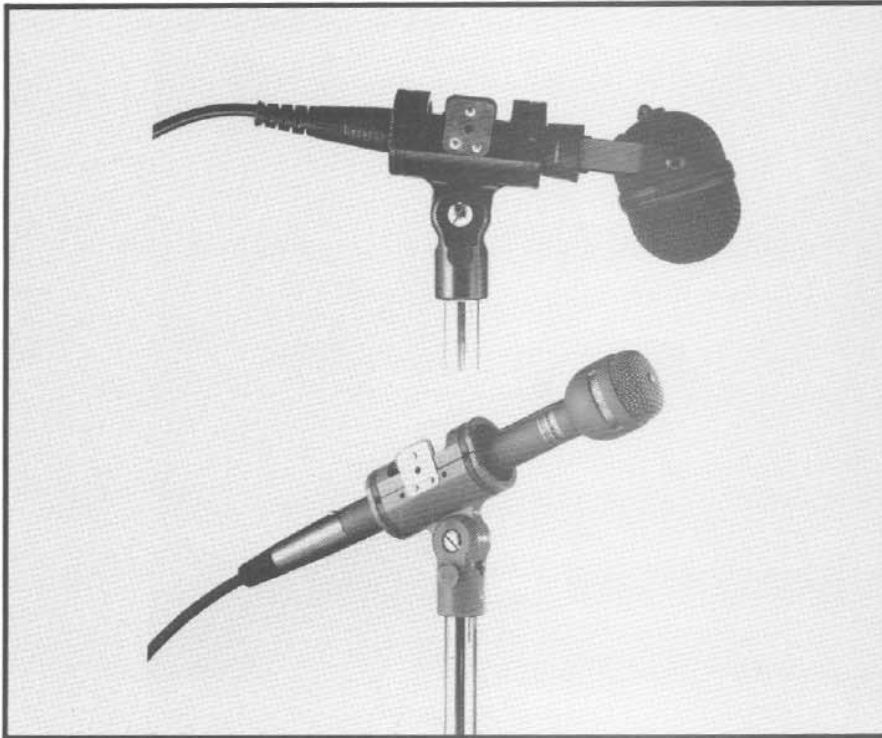


Electro-Voice®
a MARK IV company



Models 313/313A Shock Mount Microphone Clamp

SPECIFICATIONS

Material:

Steel and polycarbonate

Finish,

313: Non-reflecting black

313A: Non-reflecting gray

Dimensions:

63.5 mm (2.5 in.) long

34 mm (1.34 in.) wide

86.4 mm (3.4 in.) high

Weight:

142 grams (5 oz.)

Suspension:

Neoprene shock cords

Rotation:

180° swivel

DESCRIPTION AND APPLICATIONS

The Electro-Voice Models 313 and 313A shock mount clamp are designed to provide shock mount isolation for any microphone having a 19-millimeter (3/4-inch) diameter barrel. The 313 and 313A will also work with microphones slightly larger in diameter, but with reduced shock mount isolation. The design of the shock mount clamp allows a microphone, while still connected to its cable, to be placed in the clamp. A latch on the side of the clamp allows quick and easy access to the microphone. In installations where easy access to microphone is undesirable, a small screw provided with the

clamp may be placed through the latch into the clamp to hamper removal of the microphone.

The open design of the 313 and 313A does not interfere with the frequency response or directional characteristics of microphones placed in the clamp.

The Models 313 and 313A may be used on microphone stands or podiums to provide shock insulation. They will also provide excellent shock isolation for small microphones used on fishpoles or booms.

The Models 313 and 313A may be used with any standard microphone stand using a 5/8-27 thread.

REPLACEMENT PARTS

Should it become necessary to order replacement suspensory ligaments (shock cords — Part No. 70383/gray or Part No. 72448/black) new ones may be ordered directly from Electro-Voice, Inc., 600 Cecil Street, Buchanan, MI 49107, Attention: Miscellaneous Parts Department.

Specifications are subject to change without notice.

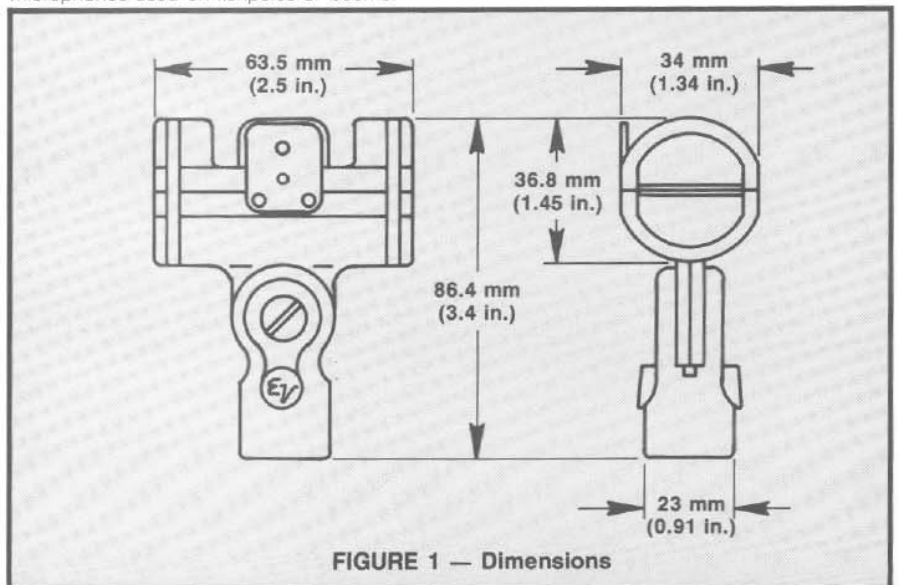


FIGURE 1 — Dimensions



ELECTRO-VOICE, INC., 600 Cecil Street, Buchanan, Michigan 49107

MANUFACTURING PLANTS AT ■ BUCHANAN, MI ■ NEWPORT, TN ■ SEVIERVILLE, TN ■ OKLAHOMA CITY, OK ■ GANANOQUE, ONT.
©Electro-Voice, Inc. 1990 ■ Litho in U.S.A. Part Number 531627-007

a MARK IV company